

# GENERAL-PURPOSE CHAIN HOIST HE-50A

(triple spur geared)

## GENERAL-PURPOSE CHAIN HOIST

HE-50A is a well balanced all-round chain hoist with the same basic design as the H-50A industrial type chain hoist. For normal use most people will find the durability of HE-50A more than sufficient for their requirements.



1 ton

### Excellent balance between cost and performance

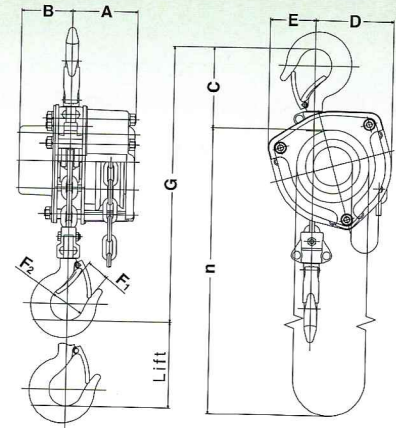
HE-50A is not a chain hoist that merely pursues low cost. It is a quality chain hoist that comes from the same strain as the heavy-duty H-50A industrial type chain hoist, which is renowned for its durability and operability. While proving the ultimate balance between low cost and high performance, HE-50A attaches greater importance to durability and operability.

HE-50A has been upgraded and now has 2-Pawls. The additional pawl increase reliability and safety.

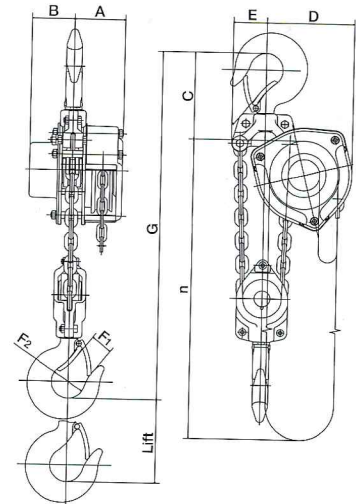
HE-50A product lineup has been complemented with the addition of 3.2 ton. HE-50A 3.2 ton was specially developed for fulfilling the request of many people. When compared to H-50A 3.2 ton the net weight is 8.5 kg lighter, which makes it much easier to transport and install.

### LOAD CHAIN

The well balanced Grade T (Grade 80) load chains of HE-50A are the results of many years of development and our long experience in manufacturing materials handling equipment. These load chains have outstanding tensile strength and high elongation percentages.



0.5-2 ton Diagrammatic only



3.2 ton Diagrammatic only

## STANDARD SPECIFICATIONS: HE-50A Chain Hoist

Item No.	Rated load (ton)	Lift (m)	Load chain		Head room G (mm)	Pulling efforts (N)	Net weight (kg)	Test load (ton)	Major Dimensions (mm)							
			Dia. (mm)	Nos. of falls					A	B	C	D	E	F1	F2	n(m)
HE5005A	0.5	2.5	5	1	260	245	8	0.75	82	56	100	90	48	24	36	2.5
HE5010A	1		6.3	1	300	265	10.5	1.5	84	66	110	100	59	29	43	2.5
HE5015A	1.6		7.1	1	345	324	15	2.4	91	77	120	115	69	33	48	2.5
HE5020A	2	3.0	7.9	1	380	392	21	3.0	99	88	125	132	82	35	52	3.0
HE5030A	3.2		7.1	2	530	353	22	4.8	91	77	160	160	60	40	60	3.0

N.B. 1. The table shows the standard lifts. Other chain lengths are also available.

The design, materials and specifications are subject to change for improvements without notice.